

## 14 Series Double Eccentric Butterfly Valve

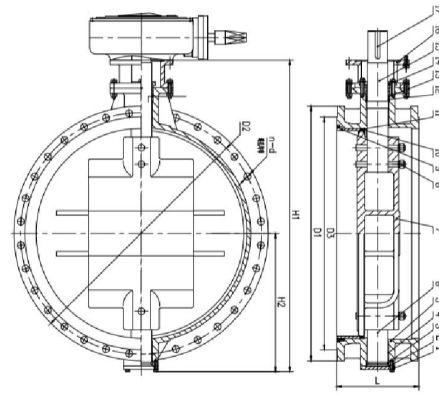
### Product Description

Name	Description
Model	D342X/H-10/16Q
Name	14 Series Double Eccentric Butterfly Valve
Size	DN100-DN2000
Pressure	PN10/16
Temp.	-20°C~120°C
Suitable Medium	Fresh water, sewage, sea water, weak acid and alkali, air, steam, etc.
Body	DI/WCB/CF3/CF3M/CF8/CF8M
Disc	DI/WCB/CF3/CF3M/CF8/CF8M
Stem	SS420/2Cr13/SS304/316
Seat	NBR/EPDM
Actuator	Gearbox/Electric/Pneumatic



### Executive Standard

Name	Standard
Design and Manufacture	GB/T 12238-2008
Face to face Length	GB/T 12221-2008
End Flange	GB/T 17241.6-2008, EN1092-1
Pressure Test	GB/T 13927-2008



### Dimensions

Size		PN10					PN16				
DN	NPS(Inch)	L	D1	D2	D3	n-d	L	D1	D2	D3	n-d
100	4"	190	220	180	156	8-19	190	220	180	156	8-19
125	5"	200	250	210	184	8-19	200	250	210	184	8-19
150	6"	210	285	240	211	8-23	210	285	240	211	8-23
200	8"	230	340	295	266	8-23	230	340	295	266	12-23
250	10"	250	395	350	319	12-23	250	405	355	319	12-28
300	12"	270	445	400	370	12-23	270	460	410	370	12-28
350	14"	290	505	460	429	16-23	290	520	470	429	16-28
400	16"	310	565	515	480	16-28	310	580	525	480	16-31
450	18"	330	615	565	530	20-28	330	640	585	548	20-31
500	20"	350	670	620	582	20-28	350	715	650	609	20-34
600	24"	390	780	725	682	20-31	390	840	770	720	20-37
700	28"	430	895	840	794	24-31	430	910	840	794	24-37
800	32"	470	1015	950	901	24-34	470	1025	950	901	24-40
900	36"	510	1115	1050	1001	28-34	510	1125	1050	1001	28-40
1000	40"	550	1230	1160	1112	28-36	550	1255	1170	1112	28-43
1200	48"	630	1455	1380	1328	32-39	630	1485	1390	1328	32-49
1400	56"	710	1675	1590	1530	36-43	710	1685	1590	1530	36-49
1600	64"	790	1915	1820	1750	40-49	790	1930	1820	1750	40-56
1800	72"	870	2115	2020	1950	44-49	870	2130	2020	1950	44-56
2000	80"	950	2325	2230	2150	48-49	950	2345	2230	2150	48-62