

Full PTFE Lined Wafer Butterfly Valve

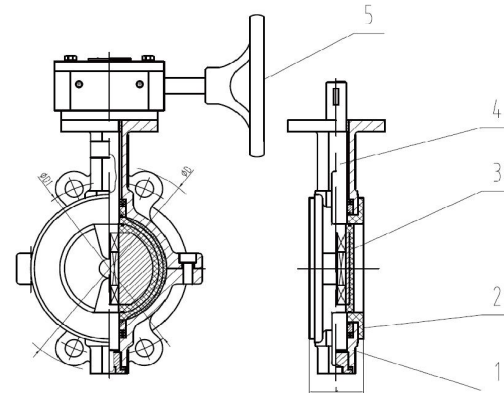
► Product Description

Name	Description
Model	D371F4-10/16/150LB
Name	Full PTFE Lined Wafer Butterfly Valve
Size	DN50-DN600
Pressure	PN10/16/150LB
Temp.	-20~150°C
Suitable Medium	Water, weak acid and alkali, air, steam, oil, etc.
Body	WCB/CF3/CF3M/CF8/CF8M
Seat	F46/F4/PFA
Disc	WCB/CF3/CF3M/CF8/CF8M lined F46/F4/PFA
Stem	2Cr13/304/316
Actuator	Handle/Worm Gear/Electric/Pneumatic



► Executive Standard

Name	Standard
Design and Manufacture	GB/T 12238-2008
Face to face Length	GB/T 12221-2008
End Flange	GB/T 9113-2010, EN1092-1, ASME B16.5
Pressure Test	GB/T 13927-2008



► Dimensions

DN	NPS(Inch)	L	PN10			PN16			Class150		
			ØD	ØD1	Z-Ød	ØD	ØD1	Z-Ød	ØD	ØD1	Z-Ød
50	2"	43	165	125	4-18	165	125	4-18	165	120.7	4-19
65	2 1/2"	46	185	145	4-18	185	145	4-18	185	139.7	4-19
80	3"	46	200	160	8-18	200	160	8-18	200	152.4	4-19
100	4"	52	220	180	8-18	220	180	8-18	220	190.5	8-19
125	5"	56	250	210	8-18	250	210	8-18	250	215.9	8-22.4
150	6"	56	285	240	8-22	285	240	8-22	285	241.3	8-22.4
200	8"	60	340	295	8-22	340	295	12-22	340	298.5	8-22.4
250	10"	68	395	350	12-22	405	355	12-26	405	362	12-25.4
300	12"	78	445	400	12-22	460	410	12-26	460	431.8	12-25.4
350	14"	78	505	460	16-22	520	470	16-26	520	476.3	12-28.4
400	16"	102	565	515	16-26	580	525	16-30	580	539.8	16-28.4
450	18"	114	615	565	20-26	640	585	20-30	640	577.9	16-31.8
500	20"	127	670	620	20-26	715	650	20-30	715	635	20-31.8
600	24"	154	780	725	20-30	840	770	20-36	840	749.3	20-35.1