

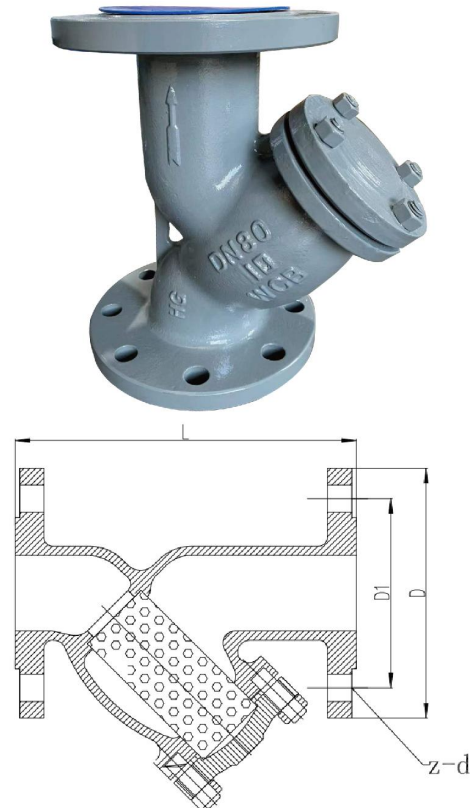
GB/DIN Standard WCB Y-strainer

Product Description

Name	Description
Model	GL41H-16/25C
Name	GB/DIN Standard WCB Y-strainer
Size	DN50-DN300
Pressure	PN16/PN25
Temp.	-29~425°C
Suitable Medium	Water, oil, steam, sewage.
Body	WCB
Screen	304
Bonnet	WCB

Executive Standard

Name	Standard
Design and Manufacture	GB/T 14382-2008
Face to face Length	GB/T 12221-2005
End Flange	GB/T 9113-2010, EN1092-1
Pressure Test	GB/T 14382-2008



Dimensions

DN	NPS(Inch)	L	PN16			PN25		
			D	D1	Z-d	D	D1	Z-d
50	2"	215	16	125	125	160	125	4-18
65	2-1/2"	250	180	145	145	180	145	8-18
80	3"	285	195	160	160	195	160	8-18
100	4"	305	215	180	180	230	190	8-23
125	5"	350	245	210	210	270	220	8-26
150	6"	385	280	240	240	300	250	8-26
200	8"	485	335	295	295	360	310	12-26
250	10"	552	405	355	355	425	370	12-30
300	12"	605/640	460	410	410	485	430	16-30