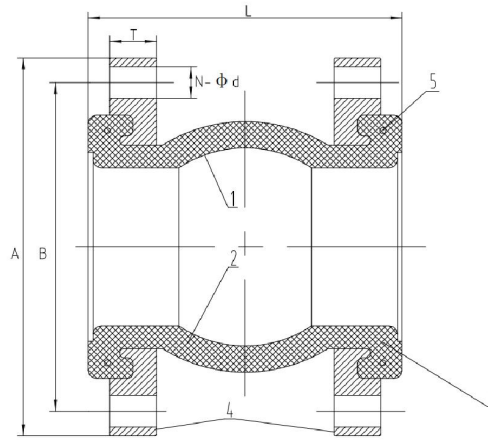


Stainless Steel Flange Expansion Rubber Joint

Product Description

Name	Description
Model	KTX-10/16/150LB
Name	Stainless Steel Flange Expansion Rubber Joint
Size	DN40-DN600
Pressure	PN10/16/150LB
Temp.	-20~120°C
Suitable Medium	Water,Air,Oil.
Rubber Ball	EPDM/Natural Rubber/NBR/Viton
Traveller	Q235
Flange	SS304/SS316



Executive Standard

Name	Standard
Design and Manufacture	GB/T 26121-2010
Face to face Length	GB/T 26121-2010
End Flange	GB/T 9119-2010, EN1092-1, ASME B16.5
Pressure Test	GB/T 26121-2010

Dimensions

Size		L	PN10				PN16				150LB			
DN	NPS(Inch)		ØA	ØB	N-Ød	T	ØA	ØB	N-Ød	T	ØA	ØB	N-Ød	T
40	1 1/2"	95	150	110	4-18	15	150	110	4-18	15	125	98.4	4-16	15.9
50	2"	105	165	125	4-18	15	165	125	4-18	15	150	120.7	4-19	17.5
65	2 1/2"	115	185	145	8-18	17	185	145	8-18	17	180	139.7	4-19	20.7
80	3"	135	200	160	8-18	17	200	160	8-18	17	190	152.4	4-19	22.3
100	4"	150	220	180	8-18	19	220	180	8-18	19	230	190.5	8-19	22.3
125	5"	165	250	210	8-18	21	250	210	8-18	21	255	215.9	8-22	22.3
150	6"	180	285	240	8-22	21	285	240	8-22	21	280	241.3	8-22	23.9
200	8"	210	340	295	8-22	21	340	295	12-22	27	345	298.5	8-22	27
250	10"	230	395	350	12-22	23	405	355	12-26	29	405	362	12-25	28.6
300	12"	245	445	400	12-22	24	460	410	12-26	29	485	431.8	12-25	30.2
350	14"	255	505	460	16-22	24	520	470	16-26	30	535	476.3	12-29	33.4
400	16"	255	565	515	16-26	26	580	525	16-30	34	595	539.8	16-29	35
450	18"	255	615	565	20-26	26	640	585	20-30	38	635	577.9	16-32	38.1
500	20"	255	670	620	20-26	28	715	650	20-33	44	700	635	20-32	41.3
600	24"	260	780	725	20-30	29	840	770	20-36	45	815	749.3	20-35	46.1