

Triple Eccentric Flanged Butterfly Valve

Product Description

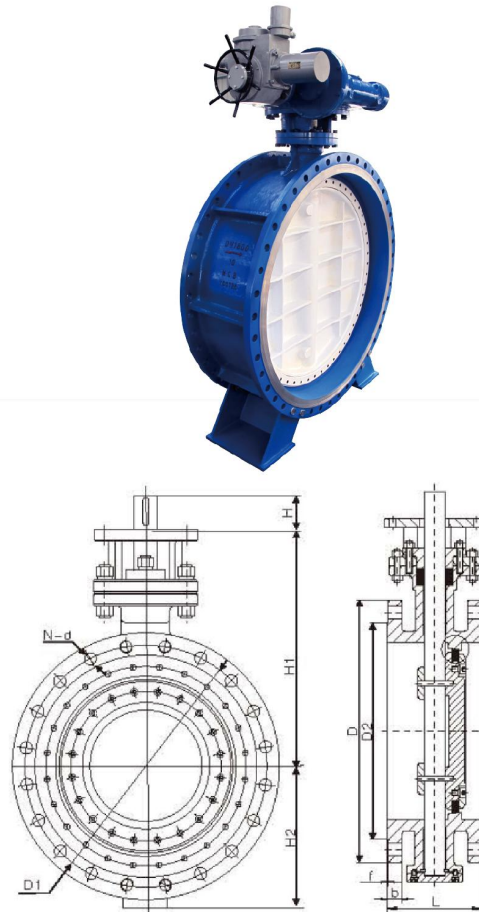
Name	Description
Model	D343H/W-PN16/PN25/PN40/PN63
Name	Triple Eccentric Flanged Butterfly Valve
Size	DN50-2000
Pressure	PN10/16/25/40/63
Temp.	0~150°C
Suitable Medium	Water, weak acid base, air, steam, oil, etc.
Body	WCB/CF3/CF3M/CF8/CF8M
Seat	13Cr/304/316
Disc	WCB/CF3/CF3M/CF8/CF8M
Shaft	2Cr13/304/316
Actuator	Worm Gear/Electric/Pneumatic

Executive Standard

Name	Standard
Design and Manufacture	GB/T 12238
Face to face Length	GB/T 12221
End Flange	GB/T 9113, EN1092-1
Pressure Test	GB/T 13927

Dimensions

Size		PN10						
DN	NPS(Inch)	L	D	D1	D2	b	f	N-d
50	2"	108	165	125	102	20	3	4-18
80	3"	114	200	160	138	20	3	8-18
100	4"	127	220	180	158	22	3	8-18
125	5"	140	250	210	188	22	3	8-18
150	6"	140	285	240	212	24	3	8-22
200	8"	152	340	295	268	24	3	8-22
250	10"	165	395	350	320	26	3	12-22
300	12"	178	445	400	370	26	4	12-22
350	14"	190	505	460	430	26	4	16-22
400	16"	216	565	515	482	26	4	16-26
450	18"	222	615	565	532	28	4	20-26
500	20"	229	670	620	585	28	4	20-26
600	24"	267	780	725	685	34	5	20-30
700	28"	292	895	840	800	34	5	24-30
800	32"	318	1015	950	905	36	5	24-33
900	36"	330	1115	1050	1005	38	5	28-33
1000	40"	410	1230	1160	1110	38	5	28-36
1200	48"	470	1455	1380	1330	44	5	32-39
1400	56"	530	1675	1590	1535	48	5	36-42
1600	64"	600	1915	1820	1760	52	5	40-48
1800	72"	670	2115	2020	1960	56	5	44-48
2000	80"	760	2325	2230	2170	60	5	48-48





Size		PN16						
DN	NPS(Inch)	L	D	D1	D2	b	f	N-d
50	2"	108	165	125	102	20	3	4-18
80	3"	114	200	160	138	20	3	8-18
100	4"	127	220	180	158	22	3	8-18
125	5"	140	250	210	188	22	3	8-18
150	6"	140	285	240	212	24	3	8-22
200	8"	152	340	295	268	24	3	12-22
250	10"	165	395	350	320	26	3	12-26
300	12"	178	445	400	378	28	4	12-26
350	14"	190	505	460	428	30	4	16-26
400	16"	216	565	515	490	32	4	16-30
450	18"	222	615	565	550	40	4	20-30
500	20"	229	670	620	610	44	4	20-36
600	24"	267	780	725	725	54	5	20-36
700	28"	292	895	840	795	40	5	24-36
800	32"	318	1015	950	900	42	5	24-39
900	36"	330	1115	1050	1000	44	5	28-39
1000	40"	410	1230	1160	1115	46	5	28-42
1200	48"	470	1455	1380	1330	52	5	32-48
1400	56"	530	1675	1590	1530	58	5	36-48
1600	64"	600	1915	1820	1750	64	5	40-55
1800	72"	670	2115	2020	1950	68	5	44-55
2000	80"	760	2325	2230	2150	70	5	48-60

Size		PN25						
DN	NPS(Inch)	L	D	D1	D2	b	f	N-d
50	2"	108	165	125	102	20	3	4-18
80	3"	114	200	160	138	20	3	8-18
100	4"	127	235	190	162	22	3	8-18
125	5"	140	270	220	188	22	3	8-18
150	6"	140	300	250	218	24	3	8-22
200	8"	152	360	310	278	24	3	12-22
250	10"	165	425	370	335	26	3	12-26
300	12"	178	485	430	395	28	4	12-26
350	14"	190	555	490	450	30	4	16-26
400	16"	216	620	550	505	32	4	16-30
450	18"	222	670	600	555	40	4	20-30
500	20"	229	730	660	615	44	4	20-36
600	24"	267	845	770	720	54	5	20-36
700	28"	292	960	875	820	40	5	24-36
800	32"	318	1085	990	930	42	5	24-39
900	36"	330	1185	1090	1030	44	5	28-39
1000	40"	410	1320	1210	1140	46	5	28-42
1200	48"	470	1530	1420	1350	52	5	32-48
1400	56"	530	1755	1640	1560	58	5	36-48
1600	64"	600	1975	1860	1780	64	5	40-55
1800	72"	670	2195	2070	1985	68	5	44-55
2000	80"	760	2425	2300	2210	70	5	48-60

Size		PN40							PN63					
DN	NPS(Inch)	L	D	D1	D2	b	f	N-d	D	D1	D2	b	f	N-d
50	2"	150	165	125	102	20	3	4-18	180	135	102	26	3	4-22
80	3"	180	200	160	138	24	3	8-18	215	170	138	28	3	8-22
100	4"	190	235	190	162	24	3	8-22	250	200	162	30	3	8-26
125	5"	200	270	220	188	26	3	8-26	295	240	188	34	3	8-30
150	6"	210	300	250	218	28	3	8-26	345	280	218	36	3	8-33
200	8"	230	375	320	285	34	3	12-30	415	345	285	42	3	12-36
250	10"	250	450	385	345	38	3	12-33	470	400	345	46	3	12-36
300	12"	270	515	450	410	42	4	16-33	530	460	410	52	4	16-36
350	14"	290	580	510	465	46	4	16-36	600	525	465	56	4	16-39
400	16"	310	660	585	535	50	4	16-39	670	585	535	60	4	16-42
450	18"	330	685	610	460	57	4	20-39	-	-	-	-	-	-
500	20"	350	755	670	615	57	4	20-42	800	705	615	68	4	16-48
600	24"	390	890	795	735	72	5	20-48	930	820	735	76	5	16-56