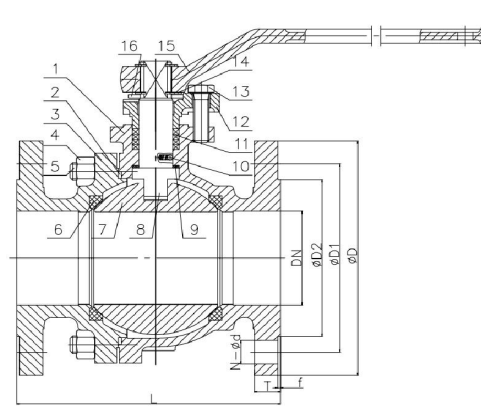


GB/DIN Standard Flange Ball Valve

► Product Description

Name	Description
Model	Q41F-16/25/40/63
Name	GB/DIN Standard Flange Ball Valve
Size	DN15-DN250
Pressure	PN16/25/40/63
Temp.	-20~150°C
Suitable Medium	Wafer, steam, oil etc.
Body	WCB/304/316
Seat Sealing	PTFE/PPL/SS/Alloy Metal
Ball	SS201/304/316
Gland	WCB/304/316
Stem	2Cr13/304/316
Lever	DI/304/316



► Executive Standard

Name	Standard
Design and Manufacture	GB/T 12237-2007
Face to face Length	GB/T 12221-2005
End Flange	GB/T 9113-2010, EN1092-1
Pressure Test	GB/T 13927-2008

► Dimensions

DN	NPS(Inch)	PN16					PN25					PN40					PN63				
		L	D	D1	D2	N-d	L	D	D1	D2	N-d	L	D	D1	D2	N-d	L	D	D1	D2	N-d
15	1/2"	130	95	65	45	4-14	130	95	65	45	4-14	130	95	65	45	4-14	165	105	75	55	4-14
20	3/4"	140	105	75	55	4-14	140	105	75	55	4-14	140	105	75	55	4-14	190	125	90	68	4-18
25	1"	150	115	85	65	4-14	150	115	85	65	4-14	150	115	85	65	4-14	216	135	100	78	4-18
32	1 1/4"	165	135	100	78	4-18	165	135	100	78	4-18	180	135	100	78	4-18	229	150	110	82	4-23
40	1 1/2"	180	145	110	85	4-18	180	145	110	85	4-18	200	145	110	85	4-18	241	165	125	95	4-23
50	2"	200	160	125	100	4-18	200	160	125	100	4-18	220	160	125	100	4-18	292	175	135	105	4-23
65	2 1/2"	220	180	145	120	4-18	220	180	145	120	4-18	250	180	145	120	8-18	330	200	160	130	8-23
80	3"	250	195	160	135	8-18	250	195	160	135	8-18	280	195	160	135	8-18	356	210	170	140	8-23
100	4"	280	215	180	155	8-18	280	230	180	155	8-18	320	230	190	160	8-23	432	250	200	168	8-25
125	5"	320	245	210	185	8-18	320	270	210	185	8-18	400	270	220	188	8-25	508	295	240	202	8-30
150	6"	360	280	240	210	8-23	360	300	240	210	8-23	400	300	250	218	8-25	559	340	280	240	8-34
200	8"	400	335	295	265	12-23	400	360	295	265	12-23	550	375	320	282	12-30	660	405	345	300	12-34