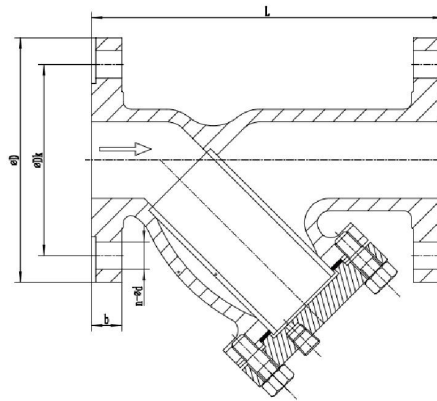


ANSI Standard Ductile Iron Y-strainer

► Product Description

Name	Description
Model	GL41H-150LBQ
Name	ANSI Standard Ductile Iron Y-strainer
Size	DN50-DN450
Pressure	150LB
Temp.	-10~120°C
Suitable Medium	Water, oil, steam, sewage.
Body	DI
Screen	304
Bonnet	DI



► Executive Standard

Name	Standard
Design and Manufacture	MFG
Face to face Length	ASME B16.10
End Flange	ASME B16.5
Pressure Test	API598

► Dimensions

DN	NPS(Inch)	L	D	Dk	d	n	b
50	2"	225.4	155	120.5	18	4	16
65	2 1/2"	273	180	139.5	18	4	17.5
80	3"	292	190	152.5	18	4	19
100	4"	352	230	190.5	18	8	24
125	5"	416	255	216	22	8	24
150	6"	470	280	241.5	22	8	25.5
200	8"	543	345	298.5	22	8	28.5
250	10"	660.4	405	362	26	12	30
300	12"	762	485	432	26	12	32
350	14"	949	535	476	29.5	12	35
400	16"	1079.5	600	540	29.5	16	36.5
450	18"	1200	635	578	32.5	16	39.5