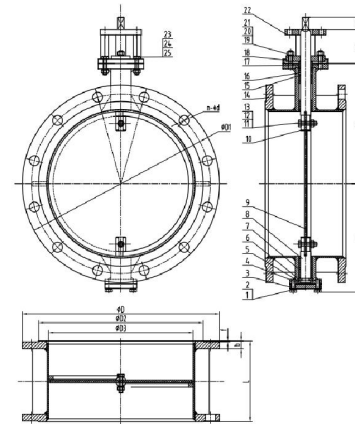


Ventilation Butterfly Valve

► Product Description

Name	Description
Model	D341W-1C
Name	Ventilation Butterfly Valve
Size	DN50-2000
Pressure	PN6
Temp.	-10°C~450°C
Suitable Medium	Gas, dust gas, flue gas, etc.
Body	Q235/304
Disc	Q235/304
Shaft	420/304
Actuator	Handle/Gearbox/Electric/Pneumatic



► Executive Standard

Name	Standard
Design and Manufacture	GB/T 12238、JB/T 8692
Face to face Length	GB/T 12221
End Flange	GB/T 9119
Pressure Test	GB/T 13927

► Dimensions

Size		L	ØD	ØD1	ØD2	n-Ød
DN	NPS(Inch)					
50	2"	108	140	110	88	4-14
65	2 1/2"	112	160	130	110	4-14
80	3"	114	190	150	128	4-18
100	4"	127	210	170	148	4-18
125	5"	140	240	200	178	8-18
150	6"	140	265	225	202	8-18
200	8"	152	315	280	258	8-18
250	10"	165	370	335	312	12-18
300	12"	178	435	395	363	12-22
350	14"	190	485	445	415	12-22
400	16"	216	535	495	465	16-22
450	18"	222	590	550	520	16-22
500	20"	229	645	600	570	20-22
600	24"	267	755	705	670	20-26