

## Full PTFE Lined Wafer Butterfly Valve

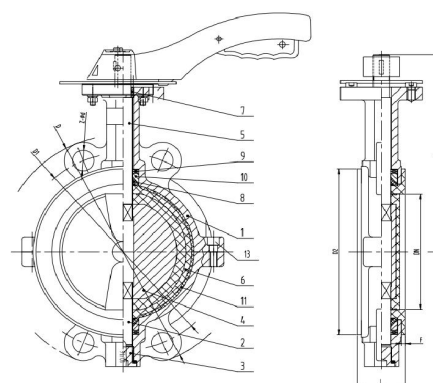
### Product Description

Name	Description
Model	D71F4-10/16/150LB
Name	Full PTFE Lined Wafer Butterfly Valve
Size	DN50-DN150
Pressure	PN10/16/150LB
Temp.	-20~150°C
Suitable Medium	Water, weak acid and alkali, air, steam, oil, etc.
Body	WCB/CF3/CF3M/CF8/CF8M
Seat	F46/F4/PFA
Disc	WCB/CF3/CF3M/CF8/CF8M lined F46/F4/PFA
Stem	2Cr13/304/316
Actuator	Handle/Worm Gear/Electric/Pneumatic



### Executive Standard

Name	Standard
Design and Manufacture	GB/T 12238-2008
Face to face Length	GB/T 12221-2008
End Flange	GB/T 9113-2010, EN1092-1, ASME B16.5
Pressure Test	GB/T 13927-2008



### Dimensions

DN	NPS(Inch)	L	PN10			PN16			Class150		
			ØD	ØD1	Z-Ød	ØD	ØD1	Z-Ød	ØD	ØD1	Z-Ød
50	2"	43	165	125	4-18	165	125	4-18	165	120.7	4-19
65	2 1/2"	46	185	145	4-18	185	145	4-18	185	139.7	4-19
80	3"	46	200	160	8-18	200	160	8-18	200	152.4	4-19
100	4"	52	220	180	8-18	220	180	8-18	220	190.5	8-19
125	5"	56	250	210	8-18	250	210	8-18	250	215.9	8-22.4
150	6"	56	285	240	8-23	285	240	8-23	285	241.3	8-22.4