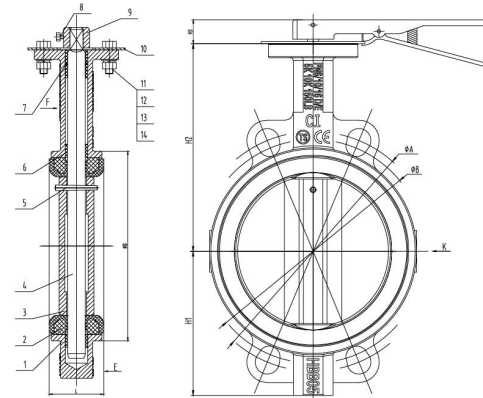


Concentric Wafer Butterfly Valve

Product Description

Name	Description
Model	D71X-10/16
Name	Wafer Butterfly Valve
Size	DN40-200
Pressure	PN10/16/150LB/5K/10K
Temp.	-20~120°C
Suitable Medium	Water, neutral liquid.
Body	CI/DI/WCB/CF8/CF8M/C954
Seat Seal	NBR/EPDM/SI/PTFE/VITON/Wear Resistance/Heat Resistance Food grade EPDM
Disc	DI/WCB/CF8/CF8M/C954
Shaft	SS420/2Cr13/304/316
Actuator	Handle/Worm Gear/Electric/Pneumatic



Executive Standard

Name	Standard
Design and Manufacture	GB/T 12238
Face to face Length	GB/T 12221
End Flange	150LB/PNG/PN10/PN16/5K/10K/TABLE D/TABLE E
Pressure Test	GB/T 13927

Dimensions

DN	NPS(Inch)	H1	H2	H3	ØA	ØB	L	PN10		PN16		150LB		10K	
								ØK	n-Ød	ØK	n-Ød	ØK	n-Ød	ØK	n-Ød
50	2"	75	129	24	125	110	43	125	4-18	125	4-18	120.6	4-19	120	4-19
65	2 1/2"	82	136	24	145	127	46	145	4-18	145	4-18	139.7	4-19	140	4-19
80	3"	99	153	24	160	145	46	160	8-18	160	8-18	152.4	4-19	150	8-19
100	4"	110	167	24	190.5	170	52	180	8-18	180	8-18	190.5	8-19	175	8-19
125	5"	125	193	27	216	200	56	210	8-18	210	8-18	215.9	8-22.4	210	8-23
150	6"	145	209	27	241.3	230	56	240	8-22	240	8-22	241.3	8-22.4	240	8-23
200	8"	170	251	30	298.4	280	60	295	8-22	295	12-22	298.5	8-22.4	290	12-23