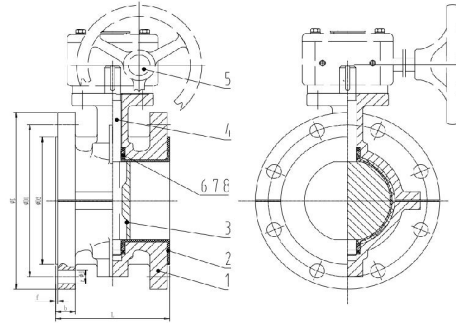


Full PTFE Lined Flange Butterfly Valve

► Product Description

Name	Description
Model	D341F4-10/16/150LB
Name	Full PTFE Lined Flanged Butterfly Valve
Size	DN50-DN1200
Pressure	PN10/16/150LB
Temp.	-20~150°C
Suitable Medium	Water, weak acid and alkali, air, steam, oil, etc.
Body	WCB/CF3/CF3M/CF8/CF8M
Seat	F46/F4/PFA
Disc	WCB/CF3/CF3M/CF8/CF8M lined F46/F4/PFA
Stem	2Cr13/304/316
Actuator	Handle/Worm Gear/Electric/Pneumatic



► Executive Standard

Name	Standard
Design and Manufacture	GB/T 12238-2008
Face to face Length	GB/T 12221-2008
End Flange	GB/T 9113-2010, EN1092-1, ASME B16.5
Pressure Test	GB/T 13927-2008

► Dimensions

DN	NPS(Inch)	L	PN10		PN16		Class150	
			ØD1	Z-Ød	ØD1	Z-Ød	ØD1	Z-Ød
50	2"	108	125	4-18	125	4-18	120.7	4-19
65	2 1/2"	112	145	4-18	145	4-18	139.7	4-19
80	3"	114	160	8-18	160	8-18	152.4	4-19
100	4"	127	180	8-18	180	8-18	190.5	8-19
125	5"	140	210	8-18	210	8-18	215.9	8-22.4
150	6"	140	240	8-22	240	8-22	241.3	8-22.4
200	8"	152	295	8-22	295	12-22	298.4	8-22.4
250	10"	165	350	12-22	355	12-26	361.9	12-25.4
300	12"	178	400	12-22	410	12-26	431.8	12-22.4
350	14"	190	460	16-22	470	16-26	476.2	12-28.4
400	16"	216	515	16-26	525	16-30	539.7	16-28.4
450	18"	222	565	20-26	585	20-30	577.8	16-31.8
500	20"	229	620	20-26	650	20-33	635	20-31.8
600	24"	267	725	20-30	770	20-36	749.3	20-35.1
700	28"	292	840	24-30	840	24-36	863.6	28-35.1
800	32"	318	950	24-33	950	24-39	977.9	28-41.1
900	36"	330	1050	28-33	1050	28-39	1085.8	32-41.1
1000	40"	410	1160	28-36	1170	28-42	1200.2	38-41.1
1200	48"	470	1380	32-39	1390	32-48	1422.4	44-41.1